

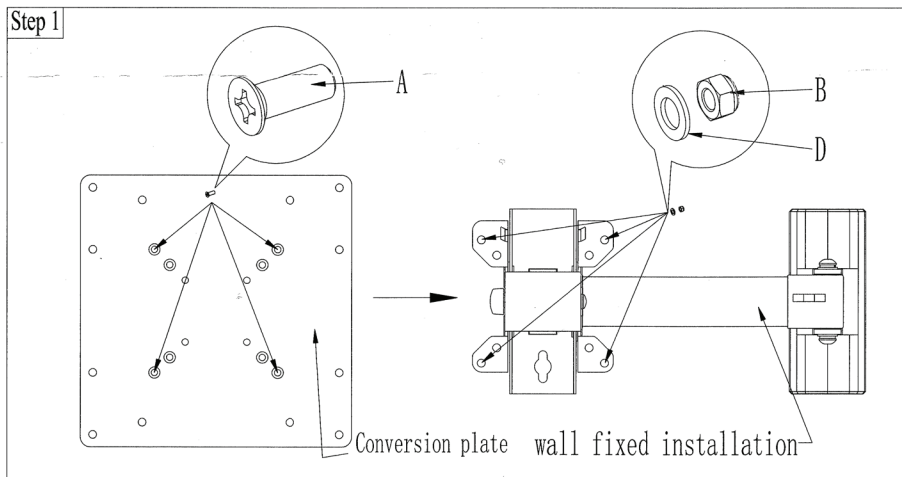
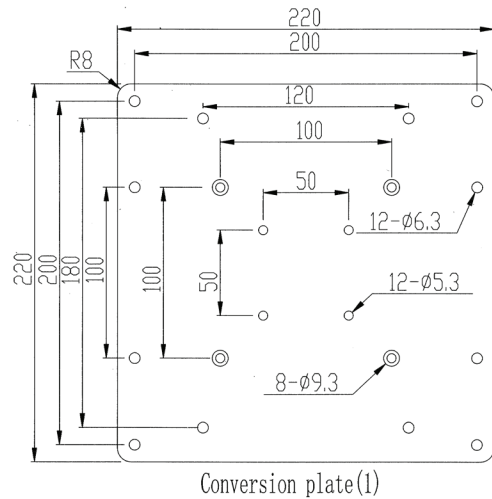
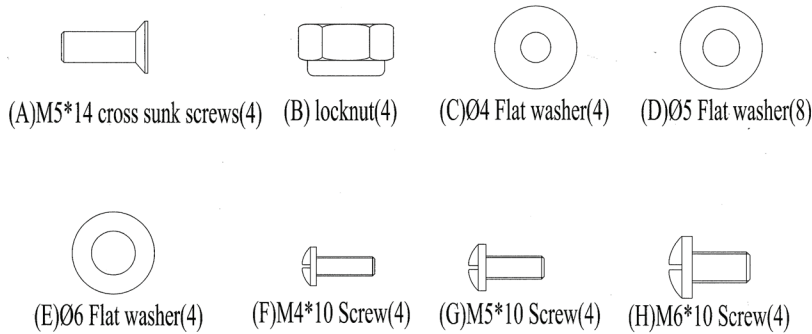
Rock Solid VESA Adapter Plate 200×200



SKU: VADPT200

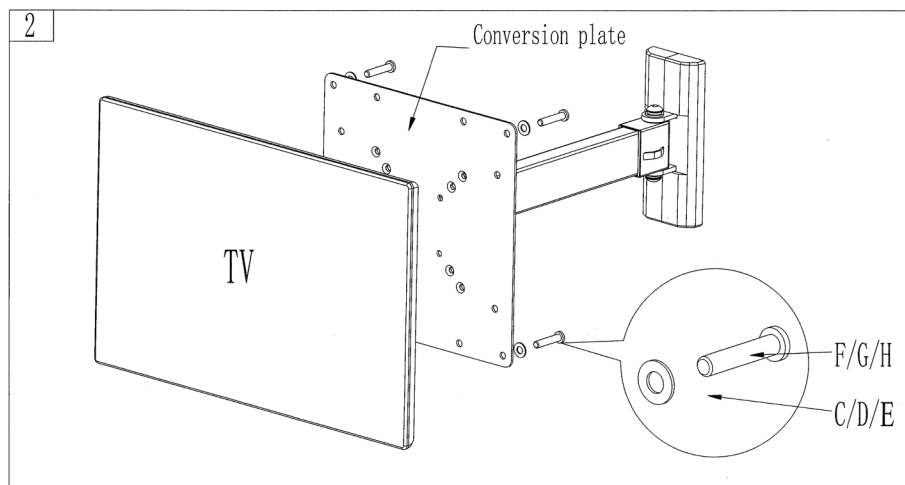
Load Capacity: 80lbs (36.5kg)

PARTS LIST:



STEP 1:

First fix the wall fixed installation for flat panel TV on vertical wall in accordance with relevant installing instructions and then fix adapter plate to the wall fixed installation for flat panel TV with four cross sunk screws, washers and locknuts.



STEP 2:

Select the mounting position for the adapter plate and the suitable bolts from the parts bag according to the size of the TV. Screw 4 selected bolts into the thread holes at the back of the TV through the corresponding holes in the adapter plate. The bolts should be screwed down. The adapter plate should be mounted on the TV back symmetrically and evenly.

Note- It takes two persons to complete this step.